

31336 VIA COLINAS, WESTLAKE VILLAGE, CA 91361



SMOKE SIGNAL BROADCASTING

DCB-4 DOUBLE DENSITY DISK CONTROLLER

COPYRIGHT © 1980
SMOKE SIGNAL BROADCASTING

DCB-4 SWITCH SETTINGS

To boot DOS680 properly with the DCB-4, the sense switches on the DCB-4 must be set properly. The following table defines the proper switch settings for both 5" and 8" configurations. Refer to the disk driver program source listing for further information on these switches.

SWITCH SETTINGS FOR THE DCB-4

| | OPEN OFF | CLOSED ON | |
|----------------------------------------------------------------------------|-------------|--------------|--------------------------------------|
| S1-1 | DOUBLE | SINGLE | SINGLE/DOUBLE SIDED DRIVE |
| S1-2 | 8" | 5" | DRIVE SIZE SELECT |
| S1-3 | DOUBLE | SINGLE | SINGLE/DOUBLE DENSITY DRIVE |
| S1-4 | DOUBLE | SINGLE | SINGLE/DOUBLE TRACK DENSITY DRIVE |
| S1-5,6 | | | 5 6 STEPPING SPEED 8"drive / 5"drive |
| | | | ----- |
| Note: the first step rate is for 8" drives and the second is for 5" drives | 0 0 | 3/6 ms | 0 => ON 1 => OFF |
| | 1 0 | 6/12 ms | |
| | 0 1 | 10/20 ms | |
| | 1 1 | 15/30 ms | |
| S1-7 | 40 | 35 | 40/35 TRACK DRIVE |

To set up an 8"/double sided/double density drive for booting:

set S1-1,2 and 3 to OFF/OPEN position

set S1-4 to ON/CLOSED position (SINGLE TRACK DENSITY)

select the proper step rate per the drive manufacturer's specified rate:

REMEX drives are rated for 3 ms step rates
(S1-5 ON, S1-6 ON)

SHUGART 800/850 drives are rated for 6 ms
(S1-5 OFF, S1-6 ON)

TANDON TM100 drives are rated for 6 ms.
(S1-5 ON, S1-6 ON)

SHUGART 400 drives are rated for 30 ms.
(S1-5 OFF, S1-6 OFF)

For the users of SSB's SCB-68, a jumper (or switch) must be installed on the cpu board. By jumpering W9 on the cpu board, the DCB-4 can be run with a processor speed above 1.0 Mhz.

NOTE: W9 ON THE SCB-68 MUST BE INSTALLED FOR PROPER OPERATION OF THE DCB-4 ABOVE 1.0 MHZ.

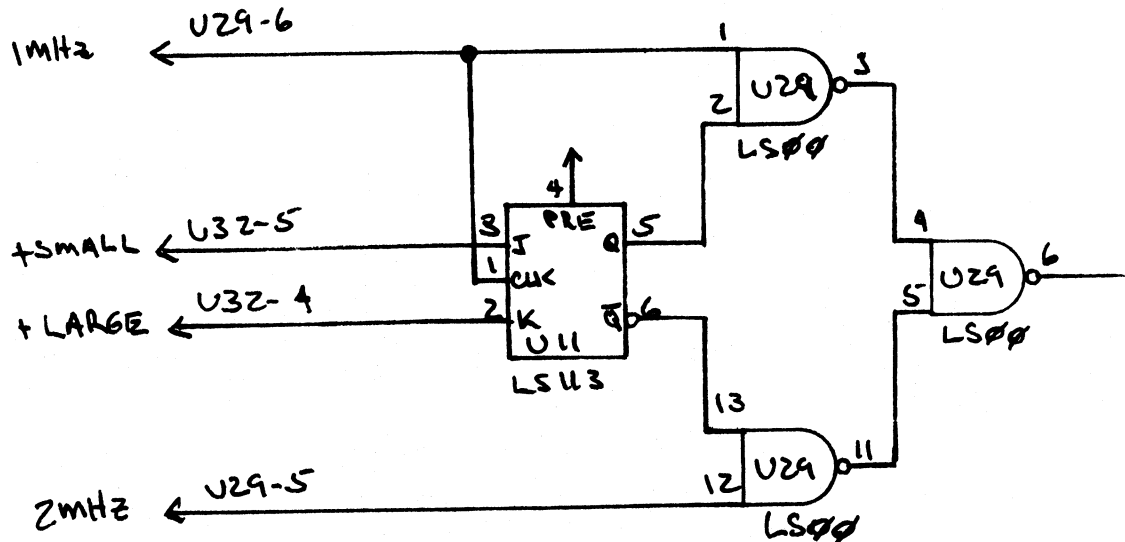
NOTE: REFER TO THE NOTICE FOR USERS OF THE SWTP MP-2A CPU BOARD FOR PROPER OPERATION WITH THE DCB-4.

5"/8" CLOCK CHANGE NOTICE

When copying between 5" and 8" disks, the system may occasionally hang up. This is due to an intermittent problem with the 1791 controller chip. If the problem occurs frequently, the following circuit will correct this.

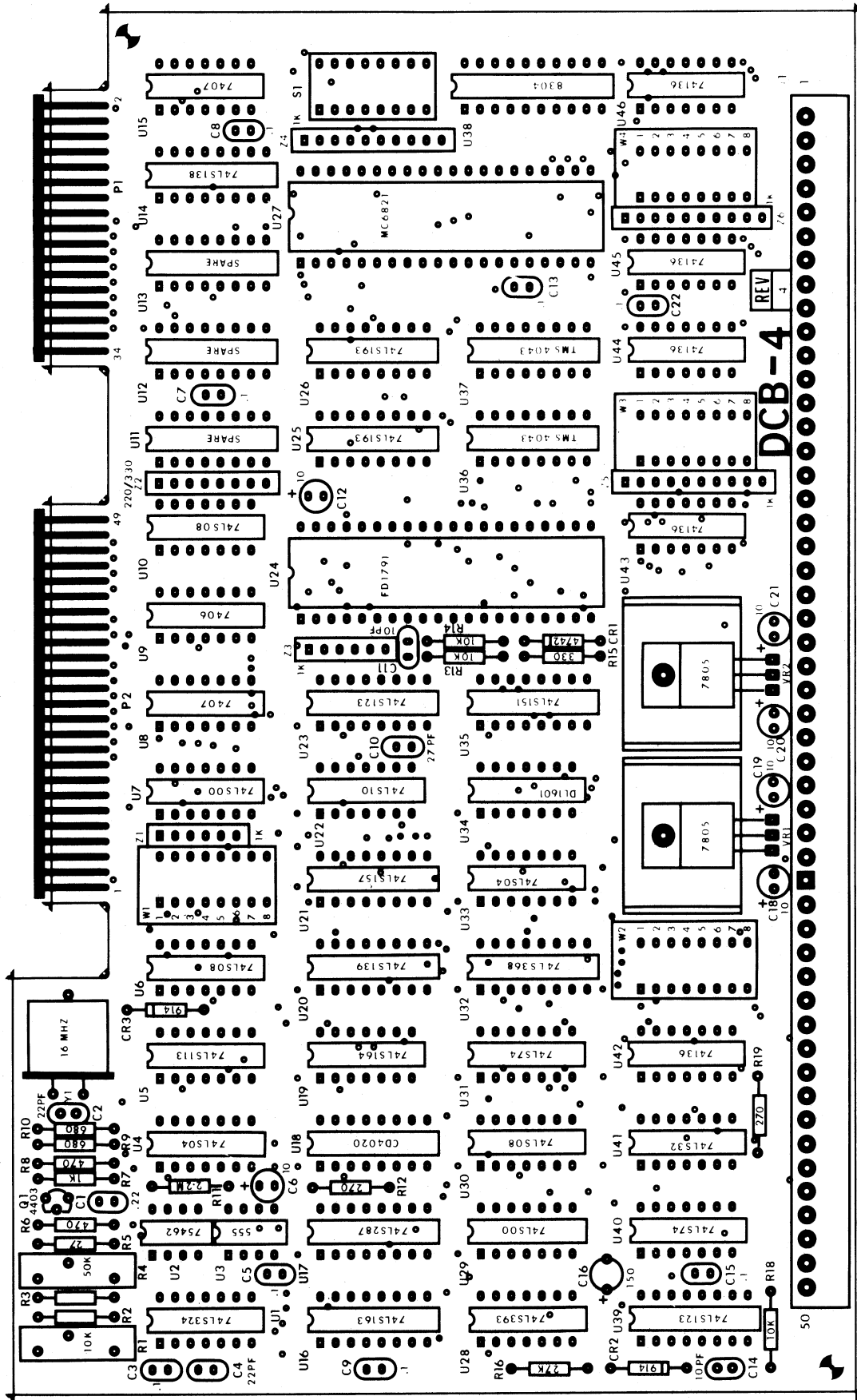
If you prefer, Smoke Signal will, for 90 days after purchase, for no cost, add the circuit. After 90 days, normal repair charges will apply.

Cut the trace leading from IC U32 pin 5
Cut the trace leading from IC U29 pin 13
Jumper U11 pin 7 and 8 together (puts ground on pin 7)
Add socket to U11 and IC 74LS113
Jumper U11 pin 1 to U29 pin 1
Jumper U11 pin 5 to U29 pin 2
Jumper U11 pin 6 to U29 pin 13
Jumper U11 pin 2 to U32 pin 4
Jumper U11 pin 3 to U32 pin 5
Jumper U11 pin 4 to U11 pin 14





REDUCE TO 6.000



SMOKE SIGNAL BROADCASTING



JAMES SPENCER
 1111 DUAL DENSITY CONTROLLER
 SILKSREEN ASSEMBLY
 SHEET 1 OF 1
 DATE 10-9-79
 I.W. No. DCB-4